



GE25-XL-KRR-B

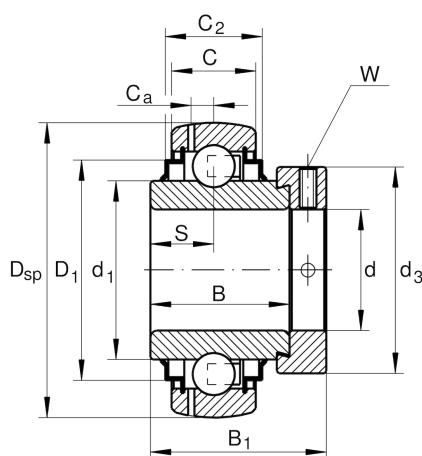
Radial insert ball bearing

Schaeffler ID:
0008043040000

Radial insert ball bearing GE..-XL-KRR-B

X-life

Technical information



Main Dimensions & Performance Data

d	25 mm	Bore diameter
D _{SP}	52 mm	Outside diameter
B	34,9 mm	Width
B ₁	44,5 mm	Locking collar total width
n _{G Grease}	16.700 1/min	Limiting speed for grease lubrication
C _r	14.000 N	Basic dynamic load rating, radial
C _{0r}	7.800 N	Basic static load rating, radial
C _{ur}	410 N	Fatigue load limit, radial
	0,002 kg	Weight

Dimensions

C	15 mm	Width, outer ring
C ₂	16,7 mm	Sealing total width
S	17,5 mm	Distance raceway
d ₁	33,8 mm	Rib diameter inner ring
D ₁	42,5 mm	Outside diameter seal
C _a	4,1 mm	Distance to lubrication hole
d ₃	37,5 mm	Outside diameter locking collar/locknut
W	3 mm	Width of flats

Additional information

f ₀	13,8	Calculation factor
----------------	------	--------------------