



## ★ GYE50-XL-KRR-B

Radial insert ball bearing

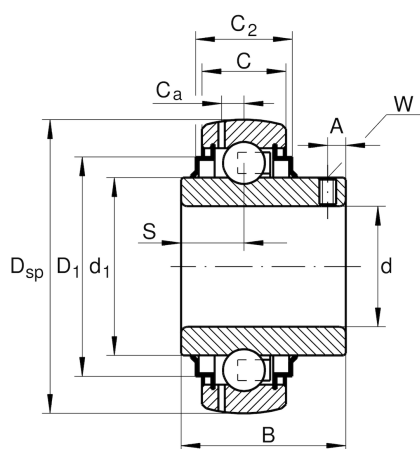
Schaeffler ID:  
0008158610000

★ Preferred product

Radial insert ball bearings GYE..-KRR-B, spherical outer ring, location by grub screws, R seals on both sides

X-life

### Technical information



### Main Dimensions & Performance Data

d	50 mm	Bore diameter
D <sub>SP</sub>	90 mm	Outside diameter
B	51,6 mm	Width
n <sub>G Grease</sub>	9.000 1/min	Limiting speed for grease lubrication
C <sub>r</sub>	37.500 N	Basic dynamic load rating, radial
C <sub>0r</sub>	23.200 N	Basic static load rating, radial
C <sub>ur</sub>	1.210 N	Fatigue load limit, radial
	0,75 kg	Weight

### Dimensions

C	22 mm	Width, outer ring
C <sub>2</sub>	26,4 mm	Sealing total width
S	19 mm	Distance raceway
d <sub>1</sub>	62,8 mm	Rib diameter inner ring
D <sub>1</sub>	77,3 mm	Outside diameter seal
C <sub>a</sub>	6,9 mm	Distance to lubrication hole
A	8,5 mm	Distance thread
W	4 mm	Width of flats

### Additional information

f <sub>0</sub>	14,4	Calculation factor
----------------	------	--------------------