

★ KR5201-2RS

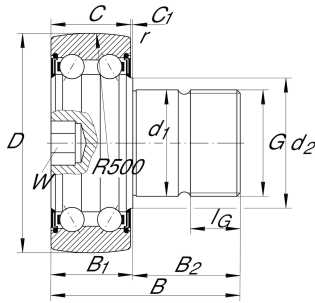
Stud type track roller

Schaeffler ID:
0008442680000

Stud type track rollers KR52...-2RS, double row, lip seals on both sides

★ Preferred product

Technical information



Main Dimensions & Performance Data

D	35 mm	Outside diameter
d ₁	12 mm	Fit diameter of roller stud / stud
B	49,2 mm	Width
C _{r w}	8.700 N	Basic dynamic load rating, radial
C _{0r w}	5.400 N	Basic static load rating, radial
C _{ur w}	270 N	Fatigue load limit, radial
n _{DG}	7.500 1/min	Speed on permanent grease lubrication
	0,14 kg	Weight

Dimensions

B _{1 max}	17 mm	Maximum width of thrust washer
B ₂	32,5 mm	Bolt/stud length effectively
C	15,9 mm	Width, outer ring
C ₁	0,8 mm	Protrusion outer ring to thrust washer
d ₂	17,1 mm	Stop diameter of thrust washer
r _{min}	0,6 mm	Minimum chamfer dimension
G	M12X1,5	Thread
l _G	17 mm	Thread length
W	6 mm	Width of flats
R	500 mm	Radius of outer ring outside profile

Additional information

M _A	45 Nm	Tightening torque nut
----------------	-------	-----------------------