

★ KR5204-2RS

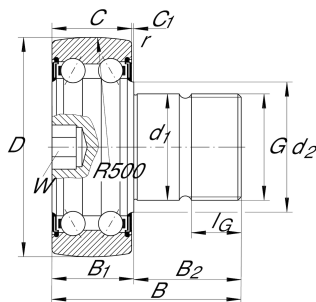
Stud type track roller

Schaeffler ID:
0008443060000

Stud type track rollers KR52...-2RS, double row, lip seals on both sides

★ Preferred product

Technical information



Main Dimensions & Performance Data

D	52 mm	Outside diameter
d ₁	20 mm	Fit diameter of roller stud / stud
B	63,6 mm	Width
C _{r w}	16.100 N	Basic dynamic load rating, radial
C _{0r w}	11.000 N	Basic static load rating, radial
C _{ur w}	560 N	Fatigue load limit, radial
n _{D G}	5.000 1/min	Speed on permanent grease lubrication
	0,39 kg	Weight

Dimensions

B _{1 max}	22,5 mm	Maximum width of thrust washer
B ₂	41,5 mm	Bolt/stud length effectively
C	20,6 mm	Width, outer ring
C ₁	1,5 mm	Protrusion outer ring to thrust washer
d ₂	26,8 mm	Stop diameter of thrust washer
r _{min}	1 mm	Minimum chamfer dimension
G	M20X1,5	Thread
l _G	21 mm	Thread length
W	10 mm	Width of flats
R	500 mm	Radius of outer ring outside profile

Additional information

M _A	160 Nm	Tightening torque nut
----------------	--------	-----------------------