

★ RAE20-XL-NPP-B

Radial insert ball bearing

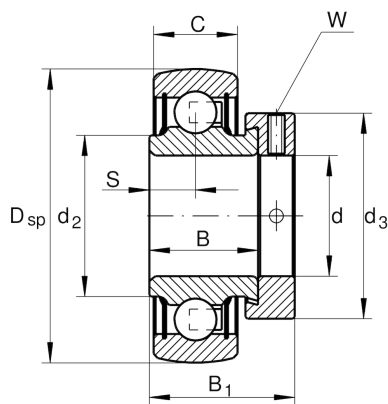
Schaeffler ID:
0008497900000

Radial insert ball bearing RAE...XL-NPP-B

★ Preferred product

X-life

Technical information



Main Dimensions & Performance Data

d	20 mm	Bore diameter
D _{SP}	47 mm	Outside diameter
B	21,4 mm	Width
B ₁	31 mm	Locking collar total width
n _{G Grease}	18.700 1/min	Limiting speed for grease lubrication
C _r	12.800 N	Basic dynamic load rating, radial
C _{0r}	6.600 N	Basic static load rating, radial
C _{ur}	345 N	Fatigue load limit, radial
	0,16 kg	Weight

Dimensions

C	14 mm	Width, outer ring
S	7,5 mm	Distance raceway
d ₂	26,9 mm	Rib diameter sealing inner ring
d ₃	33 mm	Outside diameter locking collar/locknut
W	3 mm	Width of flats

Additional information

f ₀	13,1	Calculation factor
----------------	------	--------------------