



★ GYE30-XL-KRR-B

Radial insert ball bearing

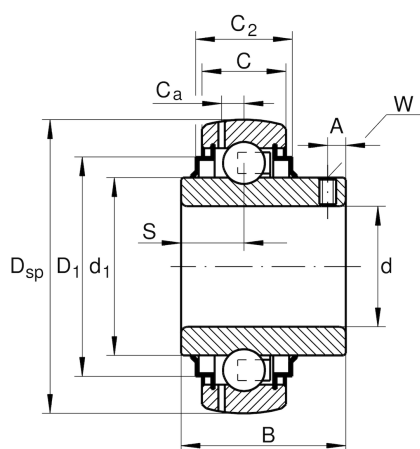
Schaeffler ID:
0008640720000

★ Preferred product

Radial insert ball bearings GYE..-KRR-B, spherical outer ring, location by grub screws, R seals on both sides

X-life

Technical information



Main Dimensions & Performance Data

d	30 mm	Bore diameter
D _{SP}	62 mm	Outside diameter
B	38,1 mm	Width
n _{G Grease}	13.800 1/min	Limiting speed for grease lubrication
C _r	19.500 N	Basic dynamic load rating, radial
C _{0r}	11.300 N	Basic static load rating, radial
C _{ur}	480 N	Fatigue load limit, radial
	0,31 kg	Weight

Dimensions

C	18 mm	Width, outer ring
C ₂	20,7 mm	Sealing total width
S	15,9 mm	Distance raceway
d ₁	40,2 mm	Rib diameter inner ring
D ₁	52 mm	Outside diameter seal
C _a	4,7 mm	Distance to lubrication hole
A	5,8 mm	Distance thread
W	3 mm	Width of flats

Additional information

f ₀	13,8	Calculation factor
----------------	------	--------------------