

★ KR5202-2RS

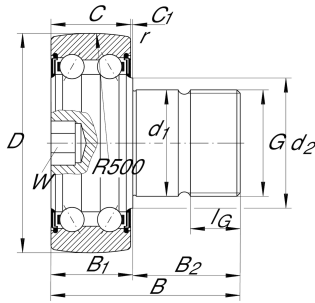
Stud type track roller

Schaeffler ID:
0008764290000

Stud type track rollers KR52...-2RS, double row, lip seals on both sides

★ Preferred product

Technical information



Main Dimensions & Performance Data

D	40 mm	Outside diameter
d ₁	16 mm	Fit diameter of roller stud / stud
B	53,2 mm	Width
C _{r w}	9.900 N	Basic dynamic load rating, radial
C _{0r w}	6.500 N	Basic static load rating, radial
C _{ur w}	325 N	Fatigue load limit, radial
n _{D G}	7.000 1/min	Speed on permanent grease lubrication
	0,19 kg	Weight

Dimensions

B _{1 max}	17 mm	Maximum width of thrust washer
B ₂	36,5 mm	Bolt/stud length effectively
C	15,9 mm	Width, outer ring
C ₁	0,8 mm	Protrusion outer ring to thrust washer
d ₂	20 mm	Stop diameter of thrust washer
r _{min}	0,6 mm	Minimum chamfer dimension
G	M16X1,5	Thread
l _G	19 mm	Thread length
W	8 mm	Width of flats
R	500 mm	Radius of outer ring outside profile

Additional information

M _A	70 Nm	Tightening torque nut
----------------	-------	-----------------------