



★ GE70-XL-KRR-B

Radial insert ball bearing

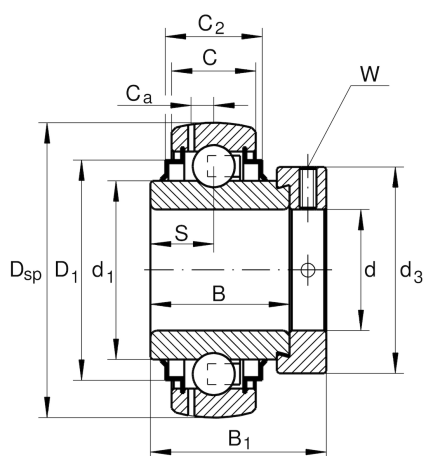
Schaeffler ID:
0008777190000

Radial insert ball bearing GE...-XL-KRR-B

★ Preferred product

X-life

Technical information



Main Dimensions & Performance Data

d	70 mm	Bore diameter
D _{SP}	125 mm	Outside diameter
B	48,5 mm	Width
B ₁	66 mm	Locking collar total width
n _{G Grease}	6.300 1/min	Limiting speed for grease lubrication
C _r	66.000 N	Basic dynamic load rating, radial
C _{0r}	44.000 N	Basic static load rating, radial
C _{ur}	2.300 N	Fatigue load limit, radial
	2,08 kg	Weight

Dimensions

C	28 mm	Width, outer ring
C ₂	32 mm	Sealing total width
S	21,5 mm	Distance raceway
d ₁	85,2 mm	Rib diameter inner ring
D ₁	109 mm	Outside diameter seal
C _a	8,9 mm	Distance to lubrication hole
d ₃	96 mm	Outside diameter locking collar/locknut
W	6 mm	Width of flats

Additional information

f ₀	14,4	Calculation factor
----------------	------	--------------------