



## ★ GE90-XL-KRR-B

Radial insert ball bearing

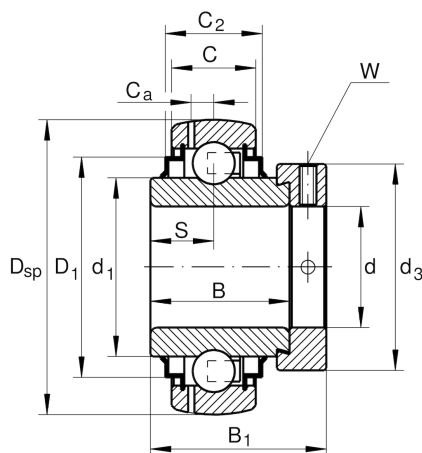
Schaeffler ID:  
0008777350000

Radial insert ball bearing GE...-XL-KRR-B

★ Preferred product

X-life

### Technical information



### Main Dimensions & Performance Data

d	90 mm	Bore diameter
D <sub>SP</sub>	160 mm	Outside diameter
B	52 mm	Width
B <sub>1</sub>	69,5 mm	Locking collar total width
n <sub>G Grease</sub>	4.850 1/min	Limiting speed for grease lubrication
C <sub>r</sub>	109.000 N	Basic dynamic load rating, radial
C <sub>0r</sub>	79.000 N	Basic static load rating, radial
C <sub>ur</sub>	3.650 N	Fatigue load limit, radial
	3,57 kg	Weight

### Dimensions

C	32 mm	Width, outer ring
C <sub>2</sub>	35 mm	Sealing total width
S	23 mm	Distance raceway
d <sub>1</sub>	109,4 mm	Rib diameter inner ring
D <sub>1</sub>	138 mm	Outside diameter seal
C <sub>a</sub>	10 mm	Distance to lubrication hole
d <sub>3</sub>	118 mm	Outside diameter locking collar/locknut
W	6 mm	Width of flats

### Additional information

f <sub>0</sub>	14,5	Calculation factor
----------------	------	--------------------