



## ★ GNE80-XL-KRR-B

Radial insert ball bearing

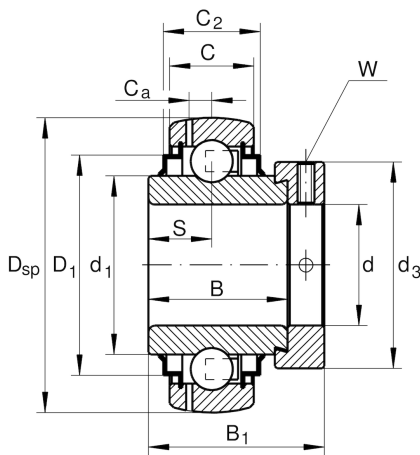
Schaeffler ID:  
0008838910000

★ Preferred product

Radial insert ball bearings GNE...KRR-B, spherical outer ring, location by eccentric locking collar, R seals on both sides

X-life

### Technical information



#### Main Dimensions & Performance Data

|                       |             |                                       |
|-----------------------|-------------|---------------------------------------|
| d                     | 80 mm       | Bore diameter                         |
| D <sub>SP</sub>       | 170 mm      | Outside diameter                      |
| B                     | 73 mm       | Width                                 |
| B <sub>1</sub>        | 93,6 mm     | Locking collar total width            |
| n <sub>G Grease</sub> | 4.550 1/min | Limiting speed for grease lubrication |
| C <sub>r</sub>        | 131.000 N   | Basic dynamic load rating, radial     |
| C <sub>0r</sub>       | 87.000 N    | Basic static load rating, radial      |
| C <sub>ur</sub>       | 4.050 N     | Fatigue load limit, radial            |
|                       | 7,1 kg      | Weight                                |

#### Dimensions

|                |          |   |
|----------------|----------|---|
| C              | 41 mm    | Width, outer ring                       |
| C <sub>2</sub> | 51 mm    | Sealing total width                     |
| S              | 34 mm    | Distance raceway                        |
| d <sub>1</sub> | 109 mm   | Rib diameter inner ring                 |
| D <sub>1</sub> | 142,8 mm | Outside diameter seal                   |
| C <sub>a</sub> | 13,2 mm  | Distance to lubrication hole            |
| d <sub>3</sub> | 118 mm   | Outside diameter locking collar/locknut |
| W              | 6 mm     | Width of flats                          |

#### Additional information

|                |      |                    |
|----------------|------|--------------------|
| f <sub>0</sub> | 13,3 | Calculation factor |
|----------------|------|--------------------|