



★ LR5004-2RS

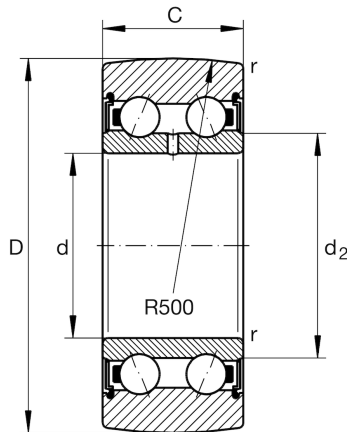
Track roller

Schaeffler ID:
0008996740000

Track rollers LR50, double row, sealed on both sides

★ Preferred product

Technical information



Main Dimensions & Performance Data

D	47 mm	Outside diameter
d	20 mm	Bore diameter
C	16 mm	Height
C _{r w}	11.700 N	Basic dynamic load rating, radial
C _{0r w}	7.900 N	Basic static load rating, radial
C _{ur w}	415 N	Fatigue load limit, radial
n _{D G}	5.500 1/min	Speed on permanent grease lubrication
F _{r per}	7.900 N	Permissible dynamic load outer ring, radial
	0,12 kg	Weight

Dimensions

d ₂	25,2 mm	Diameter of thrust washer
r _{min}	0,6 mm	Minimum chamfer dimension
R	500 mm	Radius of outer ring outside profile