



★ GYE60-XL-KRR-B

Radial insert ball bearing

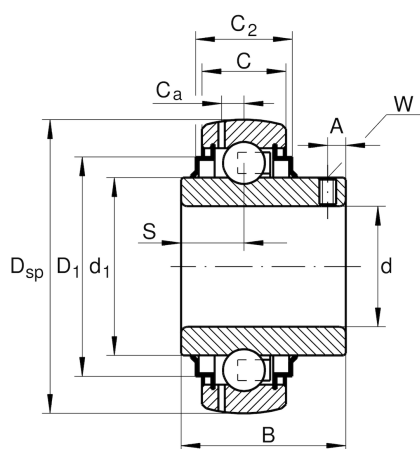
Schaeffler ID:
0009352040000

★ Preferred product

Radial insert ball bearings GYE..-KRR-B, spherical outer ring, location by grub screws, R seals on both sides

X-life

Technical information



Main Dimensions & Performance Data

d	60 mm	Bore diameter
D _{SP}	110 mm	Outside diameter
B	65,1 mm	Width
n _{G Grease}	7.300 1/min	Limiting speed for grease lubrication
C _r	56.000 N	Basic dynamic load rating, radial
C _{0r}	36.000 N	Basic static load rating, radial
C _{ur}	1.870 N	Fatigue load limit, radial
	1,46 kg	Weight

Dimensions

C	24 mm	Width, outer ring
C ₂	29 mm	Sealing total width
S	25,4 mm	Distance raceway
d ₁	76,5 mm	Rib diameter inner ring
D ₁	94,5 mm	Outside diameter seal
C _a	7,2 mm	Distance to lubrication hole
A	10,1 mm	Distance thread
W	5 mm	Width of flats

Additional information

f ₀	14,3	Calculation factor
----------------	------	--------------------