



## ★ GYE70-XL-KRR-B

Radial insert ball bearing

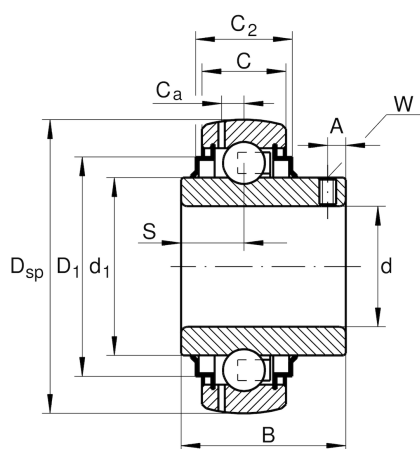
Schaeffler ID:  
0009358320000

★ Preferred product

Radial insert ball bearings GYE..-KRR-B, spherical outer ring, location by grub screws, R seals on both sides

X-life

### Technical information



#### Main Dimensions & Performance Data

d	70 mm	Bore diameter
D <sub>SP</sub>	125 mm	Outside diameter
B	74,6 mm	Width
n <sub>G Grease</sub>	6.300 1/min	Limiting speed for grease lubrication
C <sub>r</sub>	66.000 N	Basic dynamic load rating, radial
C <sub>0r</sub>	44.000 N	Basic static load rating, radial
C <sub>ur</sub>	2.300 N	Fatigue load limit, radial
	1,83 kg	Weight

#### Dimensions

C	28 mm	Width, outer ring
C <sub>2</sub>	32 mm	Sealing total width
S	30,2 mm	Distance raceway
d <sub>1</sub>	85,2 mm	Rib diameter inner ring
D <sub>1</sub>	109 mm	Outside diameter seal
C <sub>a</sub>	8,9 mm	Distance to lubrication hole
A	12 mm	Distance thread
W	5 mm	Width of flats

#### Additional information

f <sub>0</sub>	14,4	Calculation factor
----------------	------	--------------------