

★ GNE50-XL-KRR-B

Radial insert ball bearing

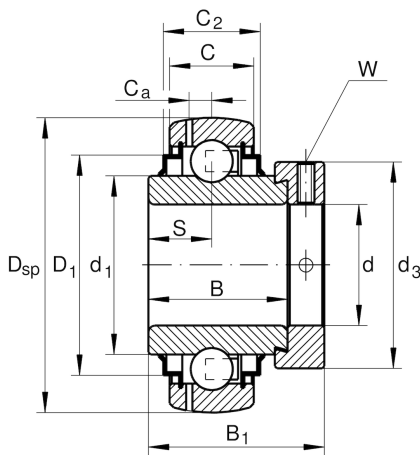
Schaeffler ID:
0009444670000

★ Preferred product

Radial insert ball bearings GNE...KRR-B, spherical outer ring, location by eccentric locking collar, R seals on both sides

X-life

Technical information



Main Dimensions & Performance Data

d	50 mm	Bore diameter
D _{SP}	110 mm	Outside diameter
B	49,2 mm	Width
B ₁	66,75 mm	Locking collar total width
n _{G Grease}	7.300 1/min	Limiting speed for grease lubrication
C _r	66.000 N	Basic dynamic load rating, radial
C _{0r}	38.000 N	Basic static load rating, radial
C _{ur}	1.970 N	Fatigue load limit, radial
	1,82 kg	Weight

Dimensions

C	29 mm	Width, outer ring
S	24,6 mm	Distance raceway
d ₁	68,8 mm	Rib diameter inner ring
D ₁	92,7 mm	Outside diameter seal
C _a	8,7 mm	Distance to lubrication hole
d ₃	75,8 mm	Outside diameter locking collar/locknut
W	5 mm	Width of flats

Additional information

f ₀	13,1	Calculation factor
----------------	------	--------------------