



★ GNE60-XL-KRR-B

Radial insert ball bearing

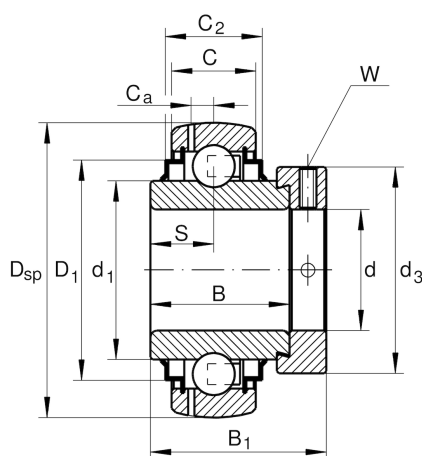
Schaeffler ID:
0009445210000

★ Preferred product

Radial insert ball bearings GNE...KRR-B, spherical outer ring, location by eccentric locking collar, R seals on both sides

X-life

Technical information



Main Dimensions & Performance Data

d	60 mm	Bore diameter
D _{SP}	130 mm	Outside diameter
B	52 mm	Width
B ₁	68 mm	Locking collar total width
n _{G Grease}	6.100 1/min	Limiting speed for grease lubrication
C _r	87.000 N	Basic dynamic load rating, radial
C _{0r}	52.000 N	Basic static load rating, radial
C _{ur}	2.700 N	Fatigue load limit, radial
	2,642 kg	Weight

Dimensions

C	33 mm	Width, outer ring
C ₂	37,2 mm	Sealing total width
S	23 mm	Distance raceway
d ₁	79,4 mm	Rib diameter inner ring
D ₁	109 mm	Outside diameter seal
C _a	11,2 mm	Distance to lubrication hole
d ₃	89 mm	Outside diameter locking collar/locknut
W	5 mm	Width of flats

Additional information

f ₀	13,2	Calculation factor
----------------	------	--------------------