

★ KB20

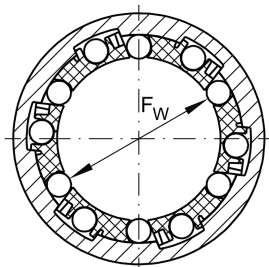
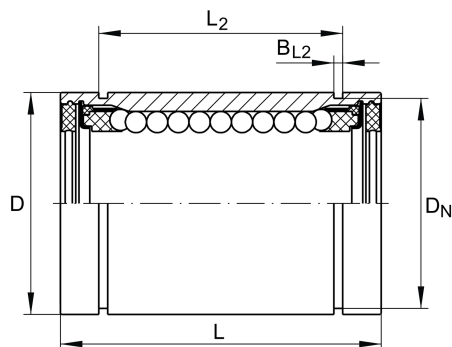
Linear ball bearing

Schaeffler ID:
0012756150000

Linear ball bearings KB., machined range,
corrosion-resistant design possible

★ Preferred product

Technical information



Main Dimensions & Performance Data

F_w	20 mm	Bore diameter of ball complement
	+0,009/-0,001	Tolerance
D	32 mm	Outside diameter
	h5	Tolerance
L	45 mm	length
	h12	Tolerance
C_{min}	1.570 N	load capacity dyn.
C_{0min}	1.230 N	load capacity stat.
C_{max}	1.660 N	load capacity dyn.
C_{0max}	1.570 N	load capacity stat.
	73,44 g	Weight

Mounting dimensions

L_2	31,2 mm	
	H13	Tolerance
B_{L2}	1,6 mm	
D_N	30,3 mm	
N_2	2 mm	
	6	Number of rows balls