

## ★ KB20-PP

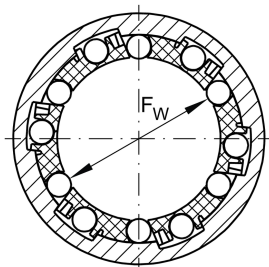
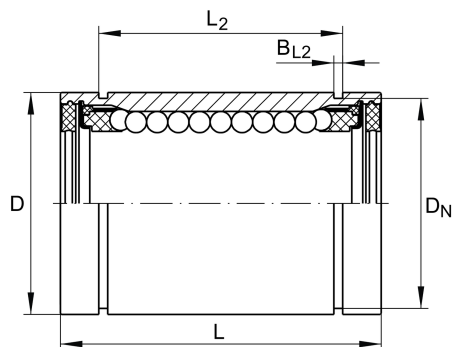
Linear ball bearing

Schaeffler ID:  
0012756230000

★ Preferred product

Linear ball bearings KB...PP, machined range, sealed on all sides, corrosion-resistant design possible

### Technical information



### Main Dimensions & Performance Data

|            |               |                                  |
|------------|---------------|----------------------------------|
| $F_w$      | 20 mm         | Bore diameter of ball complement |
|            | +0,009/-0,001 | Tolerance                        |
| $D$        | 32 mm         | Outside diameter                 |
|            | h5            | Tolerance                        |
| $L$        | 45 mm         | length                           |
|            | h12           | Tolerance                        |
| $C_{min}$  | 1.570 N       | load capacity dyn.               |
| $C_{0min}$ | 1.230 N       | load capacity stat.              |
| $C_{max}$  | 1.660 N       | load capacity dyn.               |
| $C_{0max}$ | 1.570 N       | load capacity stat.              |
|            | 88,99 g       | Weight                           |

### Mounting dimensions

|          |         |                      |
|----------|---------|----------------------|
| $L_2$    | 31,2 mm |                      |
|          | H13     | Tolerance            |
| $B_{L2}$ | 1,6 mm  |                      |
| $D_N$    | 30,3 mm |                      |
| $N_2$    | 2 mm    |                      |
|          | 6       | Number of rows balls |