

## ★ KB50-PP

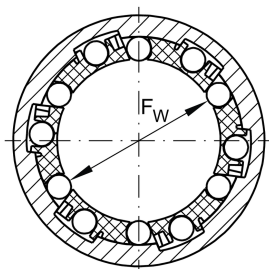
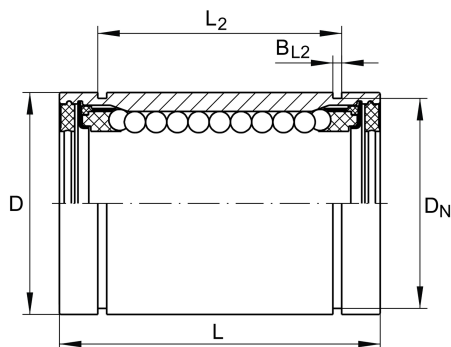
Linear ball bearing

Schaeffler ID:  
0012758360000

★ Preferred product

Linear ball bearings KB...PP, machined range, sealed on all sides, corrosion-resistant design possible

### Technical information



### Main Dimensions & Performance Data

$F_w$	50 mm	Bore diameter of ball complement
	+0,013/-0,002	Tolerance
$D$	75 mm	Outside diameter
	h5	Tolerance
$L$	100 mm	length
	h12	Tolerance
$C_{min}$	8.700 N	load capacity dyn.
$C_{0min}$	6.300 N	load capacity stat.
$C_{max}$	9.200 N	load capacity dyn.
$C_{0max}$	8.000 N	load capacity stat.
	0,978 kg	Weight

### Mounting dimensions

$L_2$	77,3 mm	
	H13	Tolerance
$B_{L2}$	2,65 mm	
$D_N$	72 mm	
$N_2$	4 mm	
	6	Number of rows balls