

★ KB16-PP-AS

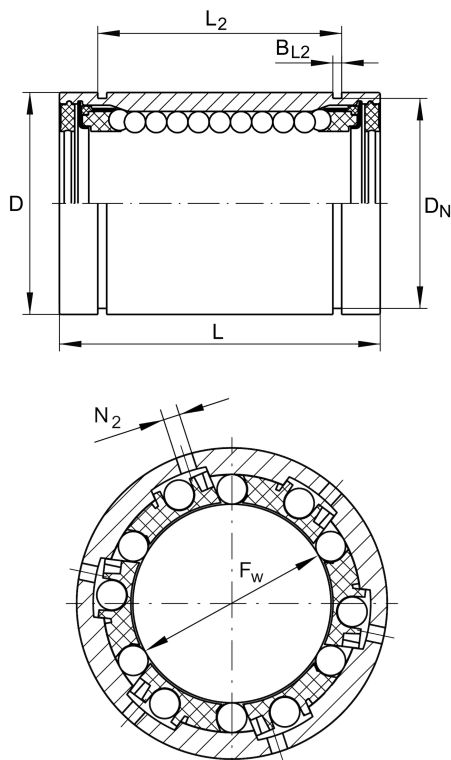
Linear ball bearing

Schaeffler ID:
0015201210000

★ Preferred product

Linear ball bearings KB..-PP-AS, machined range, sealed on all sides, with relubrication facility, corrosion-resistant design possible

Technical information



Main Dimensions & Performance Data

F_w	16 mm	Bore diameter of ball complement
	+0,009/-0,001	Tolerance
D	26 mm	Outside diameter
	h5	Tolerance
L	36 mm	length
	h12	Tolerance
C_{min}	710 N	load capacity dyn.
C_{0min}	530 N	load capacity stat.
C_{max}	840 N	load capacity dyn.
C_{0max}	780 N	load capacity stat.
	47,25 g	Weight

Mounting dimensions

L_2	24,6 mm	
	H13	Tolerance
B_{L2}	1,3 mm	
D_N	24,9 mm	
N_2	2 mm	
	5	Number of rows balls