

★ 89310-TV

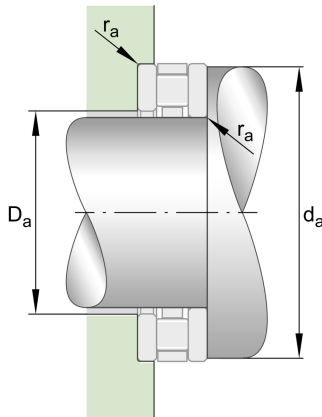
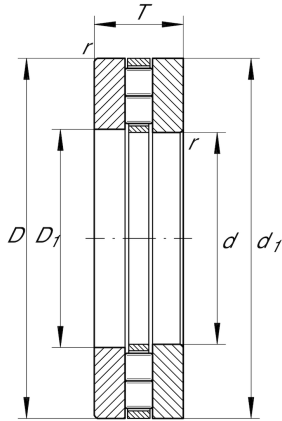
Axial cylindrical roller bearing

Schaeffler ID:
0015410210000

Axial cylindrical roller bearings 893, single direction, comprising K893, GS, WS

★ Preferred product

Technical information



Main Dimensions & Performance Data

d	50 mm	Bore diameter
D	95 mm	Outside diameter
T	27 mm	Height
C_a	168.000 N	Basic dynamic load rating, axial
C_{0a}	560.000 N	Basic static load rating, axial
C_{ua}	59.000 N	Fatigue load limit, axial
n_G	3.950 1/min	Limiting speed
n_{gr}	1.460 1/min	Reference speed
	0,875 kg	Weight

Dimensions

D_1	52 mm	Bore diameter housing washer
d_1	95 mm	Rip diameter shaft washer
B	27 mm	Width
r_{min}	1,1 mm	Minimum chamfer dimension
D_{c1}	50 mm	Cage bore diameter

Mounting dimensions

d_a	92 mm	Minimum diameter shaft shoulder
D_a	56 mm	Maximum diameter of housing shoulder
r_a	1,1 mm	Recess radius

Additional information

K89310-TV	Axial roller and cage assembly
GS89310	Housing Washer
WS89310	Shaft washer