

★ KB12

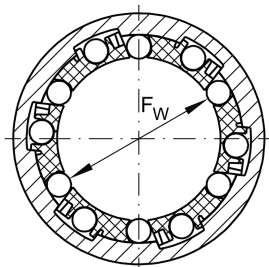
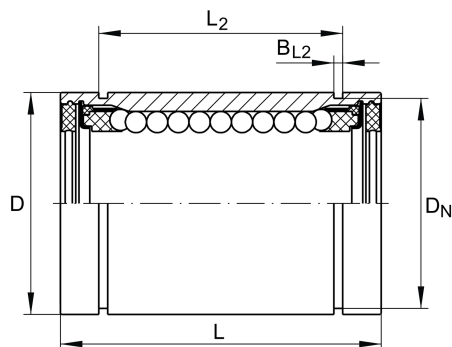
Linear ball bearing

Schaeffler ID:
0016967770000

Linear ball bearings KB., machined range,
corrosion-resistant design possible

★ Preferred product

Technical information



Main Dimensions & Performance Data

F_w	12 mm	Bore diameter of ball complement
	+0,008/0	Tolerance
D	22 mm	Outside diameter
	h5	Tolerance
L	32 mm	length
	h12	Tolerance
C_{min}	540 N	load capacity dyn.
C_{0min}	385 N	load capacity stat.
C_{max}	640 N	load capacity dyn.
C_{0max}	570 N	load capacity stat.
	36,54 g	Weight

Mounting dimensions

L_2	22,6 mm	
	H13	Tolerance
B_{L2}	1,3 mm	
D_N	21 mm	
N_2	1,5 mm	
	5	Number of rows balls