

★ KH25-PP

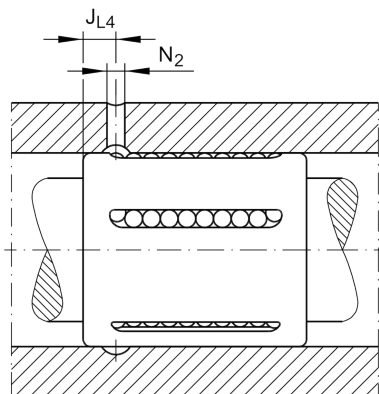
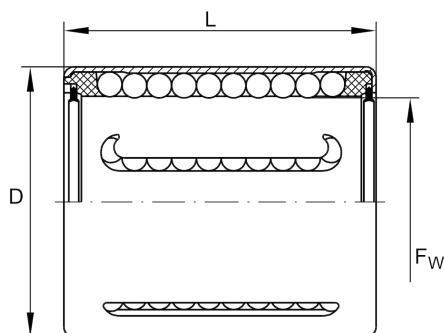
Linear ball bearing

Schaeffler ID:
0017207750000

★ Preferred product

Linear ball bearings with initial greasing,
sealed on both sides, with relubrication
facility

Technical information



Main Dimensions & Performance Data

| | | |
|------------|---------|---------------------|
| F_w | 25 mm | Diameter shaft |
| D | 35 mm | Outer diameter |
| L | 40 mm | Länge |
| C_{min} | 2.280 N | load capacity dyn. |
| C_{0min} | 1.670 N | load capacity stat. |
| C_{max} | 2.420 N | load capacity dyn. |
| C_{0max} | 2.130 N | load capacity stat. |
| | 65,6 g | Weight |

Mounting dimensions

| | |
|----------|--------|
| J_{L4} | 8 mm |
| N_2 | 2,5 mm |

Additional information

| | | |
|----------|----|---------------|
| VMKB_065 | KH | Material name |
|----------|----|---------------|