

★ 81132-TV

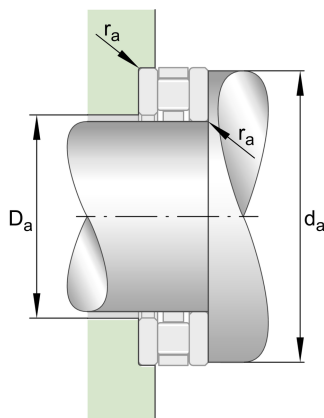
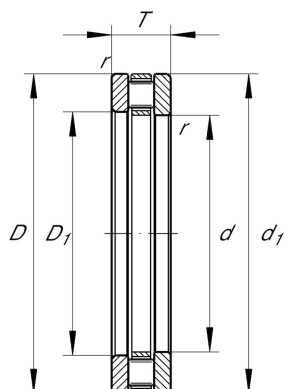
Axial cylindrical roller bearing

Schaeffler ID:
0095916210000

Axial cylindrical roller bearings 811, single direction, comprising K811, GS, WS

★ Preferred product

Technical information



Temperature range

T_{min}	120 °C	Operating temperature min.
T_{max}	-30 °C	Operating temperature max.
	0,02 kg	Weight

Main Dimensions & Performance Data

d	160 mm	Bore diameter
D	200 mm	Outside diameter
T	31 mm	Height
C_a	270.000 N	Basic dynamic load rating, axial
C_{0a}	1.050.000 N	Basic static load rating, axial
C_{ua}	89.000 N	Fatigue load limit, axial
n_G	1.600 1/min	Limiting speed
n_{gr}	640 1/min	Reference speed

Dimensions

D_1	162 mm	Bore diameter housing washer
d_1	198 mm	Rip diameter shaft washer
r_{min}	1 mm	Minimum chamfer dimension

Mounting dimensions

$d_{a min}$	195 mm	Minimum diameter shaft shoulder
$D_{a max}$	165 mm	Maximum diameter of housing shoulder
$r_{a max}$	1 mm	Maximum recess radius

Additional information

K81132-TV	Axial roller and cage assembly
GS81132	Housing Washer
WS81132	Shaft washer
LS160200	Track Washer