

★ 81226-TV

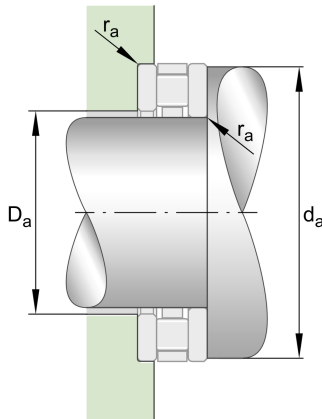
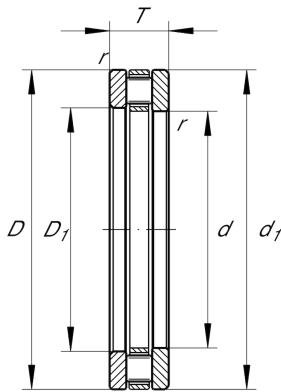
Axial cylindrical roller bearing

Schaeffler ID:
0095916720000

Axial cylindrical roller bearings 812, single direction, comprising K812, GS, WS

★ Preferred product

Technical information



Temperature range

T_{\min}	-30 °C	Operating temperature min.
T_{\max}	120 °C	Operating temperature max.
	3,799 kg	Weight

Main Dimensions & Performance Data

d	130 mm	Bore diameter
D	190 mm	Outside diameter
T	45 mm	Height
C_a	480.000 N	Basic dynamic load rating, axial
C_{0a}	1.520.000 N	Basic static load rating, axial
C_{ua}	154.000 N	Fatigue load limit, axial
n_G	1.800 1/min	Limiting speed
n_{gr}	710 1/min	Reference speed

Dimensions

D_1	133 mm	Bore diameter housing washer
d_1	187 mm	Rip diameter shaft washer
r_{\min}	1,5 mm	Minimum chamfer dimension

Mounting dimensions

$d_{a \min}$	181 mm	Minimum diameter shaft shoulder
$D_{a \max}$	137 mm	Maximum diameter of housing shoulder
$r_{a \max}$	1,5 mm	Maximum recess radius

Additional information

K81226-TV	Axial roller and cage assembly
GS81226	Housing Washer
WS81226	Shaft washer
LS160200	Track Washer