



★ NA4914-XL

Needle roller bearing

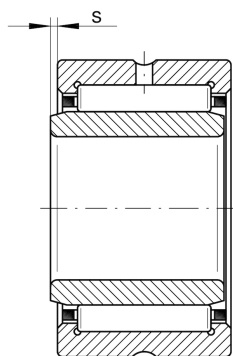
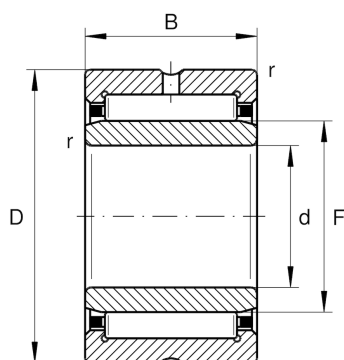
Schaeffler ID:
0504765800000

Needle roller bearing NA49..-XL, single row, with inner ring, outer ring with 2 bords

★ Preferred product

X-life

Technical information



Temperature range

T_{\min}	-30 °C	Operating temperature min.
T_{\max}	120 °C	Operating temperature max.
	0,732 kg	Weight

Main Dimensions & Performance Data

d	70 mm	Bore diameter
D	100 mm	Outside diameter
B	30 mm	Width
C_r	95.000 N	Basic dynamic load rating, radial
C_{0r}	156.000 N	Basic static load rating, radial
C_{ur}	28.000 N	Fatigue load limit, radial
n_G	5.700 1/min	Limiting speed
n_{gr}	3.250 1/min	Reference speed

Dimensions

F	80 mm	Raceway diameter inner ring
r_{\min}	1 mm	Minimum chamfer dimension
s	1,5 mm	Axial displacement