

## ★ NKX10-Z-TV-XL

Needle roller/axial ball bearing

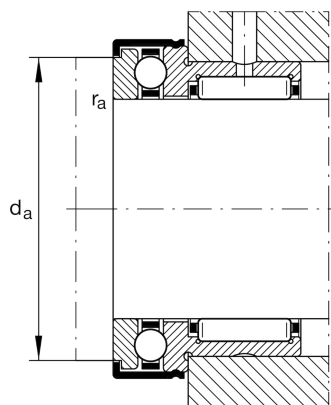
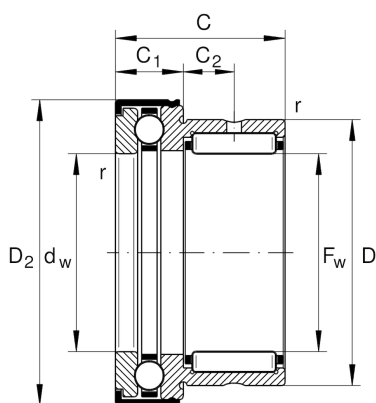
Schaeffler ID:  
0506371260000

Needle roller/axial ball bearings NKX...-Z, axial component, single direction, to DIN 5429, with end cap, for grease lubrication

★ Preferred product

X-life

### Technical information



#### Temperature range

|           |        |                            |
|-----------|--------|----------------------------|
| $T_{min}$ | -30 °C | Operating temperature min. |
| $T_{max}$ | 120 °C | Operating temperature max. |
|           | 39 g   | Weight                     |

#### Main Dimensions & Performance Data

|          |              |                                   |
|----------|--------------|-----------------------------------|
| $F_w$    | 10 mm        | Bore diameter                     |
| $D$      | 19 mm        | Outside diameter                  |
| $C$      | 23 mm        | Height                            |
| $C_r$    | 7.000 N      | Basic dynamic load rating, radial |
| $C_{0r}$ | 7.800 N      | Basic static load rating, radial  |
| $C_a$    | 10.000 N     | Basic dynamic load rating, axial  |
| $C_{0a}$ | 14.000 N     | Basic static load rating, axial   |
| $C_{ur}$ | 1.330 N      | Fatigue load limit, radial        |
| $C_{ua}$ | 690 N        | Fatigue load limit, axial         |
| $n_G$    | 12.400 1/min | Limiting speed                    |

#### Dimensions

|            |         |                                      |
|------------|---------|--------------------------------------|
| $D_{1max}$ | 25,2 mm | Maximum outside diameter flange      |
| $D_{2max}$ | 25,2 mm | Maximum outside diameter flange      |
| $C_1$      | 9 mm    | Width of the axial bearing component |
| $C_1$      | 6,5 mm  | Distance to lubrication hole         |
| $C_2$      | 6,5 mm  | Distance to lubrication hole         |
| $d_w$      | 10 mm   | Bore diameter of shaft washer        |
| $r_{min}$  | 0,3 mm  | Minimum chamfer dimension            |

#### Mounting dimensions

|             |         |                                   |
|-------------|---------|-----------------------------------|
| $d_a$       | 19,7 mm | Mounting dimension shaft shoulder |
| $r_{a max}$ | 0,3 mm  | Maximum recess radius             |

**Additional information**

---

IR7X10X16-XL

Suitable inner rings IR