



★ NA4907-XL

Needle roller bearing

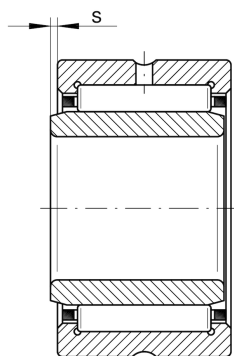
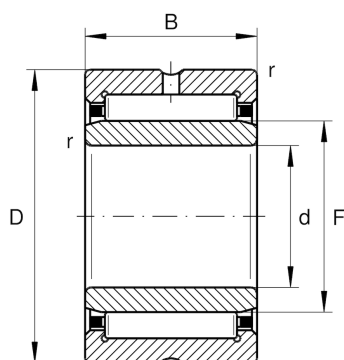
Schaeffler ID:
0506596180000

Needle roller bearing NA49..-XL, single row, with inner ring, outer ring with 2 bords

★ Preferred product

X-life

Technical information



Temperature range

T_{\min}	-30 °C	Operating temperature min.
T_{\max}	120 °C	Operating temperature max.
	0,002 kg	Weight

Main Dimensions & Performance Data

d	35 mm	Bore diameter
D	55 mm	Outside diameter
B	20 mm	Width
C_r	35.500 N	Basic dynamic load rating, radial
C_{0r}	50.000 N	Basic static load rating, radial
C_{ur}	9.600 N	Fatigue load limit, radial
n_G	10.700 1/min	Limiting speed
n_{gr}	5.800 1/min	Reference speed

Dimensions

F	42 mm	Raceway diameter inner ring
r_{\min}	0,6 mm	Minimum chamfer dimension
s	0,8 mm	Axial displacement