



## ★ NA4926-XL

Radial roller bearing

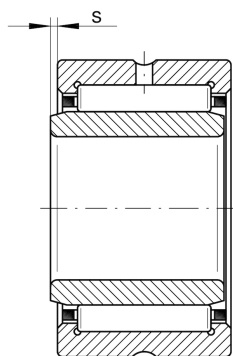
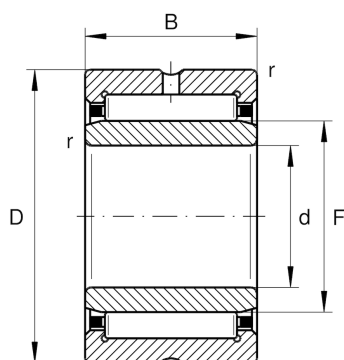
Schaeffler ID:  
0506616800000

Radial roller bearing NA..-XL

★ Preferred product

X-life

### Technical information



#### Temperature range

$T_{\min}$	-30 °C	Operating temperature min.
$T_{\max}$	120 °C	Operating temperature max.
	3,88 kg	Weight

#### Main Dimensions & Performance Data

d	130 mm	Bore diameter
D	180 mm	Outside diameter
B	50 mm	Width
$C_r$	229.000 N	Basic dynamic load rating, radial
$C_{0r}$	470.000 N	Basic static load rating, radial
$C_{ur}$	76.000 N	Fatigue load limit, radial
$n_G$	3.100 1/min	Limiting speed
$n_{G \text{ Grease}}$	1.850 1/min	Limiting speed for grease lubrication
$n_{gr}$	2.000 1/min	Reference speed

#### Dimensions

$r_{\min}$	1,5 mm	Minimum chamfer dimension
F	150 mm	Raceway diameter inner ring
s	1,5 mm	Axial displacement