



## ★ NA49/28-XL

Radial roller bearing

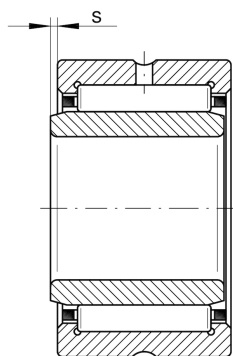
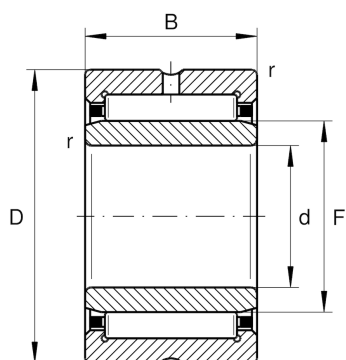
Schaeffler ID:  
0506617100000

Radial roller bearing NA..-XL

★ Preferred product

X-life

### Technical information



#### Temperature range

$T_{\min}$	-30 °C	Operating temperature min.
$T_{\max}$	120 °C	Operating temperature max.
	99,2 g	Weight

#### Main Dimensions & Performance Data

d	28 mm	Bore diameter
D	45 mm	Outside diameter
B	17 mm	Width
$C_r$	27.500 N	Basic dynamic load rating, radial
$C_{0r}$	33.500 N	Basic static load rating, radial
$C_{ur}$	6.200 N	Fatigue load limit, radial
$n_G$	13.600 1/min	Limiting speed
$n_{G \text{ Grease}}$	8.200 1/min	Limiting speed for grease lubrication
$n_{gr}$	7.400 1/min	Reference speed

#### Dimensions

$r_{\min}$	0,3 mm	Minimum chamfer dimension
F	32 mm	Raceway diameter inner ring
s	0,8 mm	Axial displacement