

## ★ NA6908-ZW-XL

Needle roller bearing

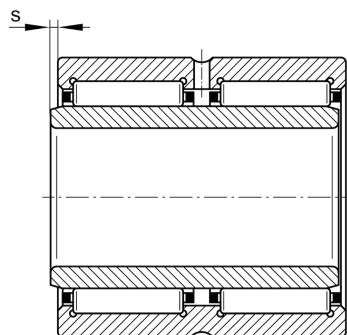
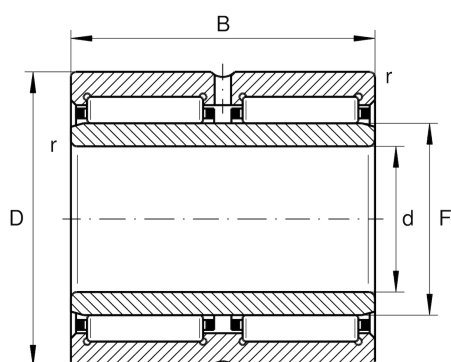
Schaeffler ID:  
0507442080000

Needle roller bearings NA69...ZW,  
Dimension series 69, double row

★ Preferred product

X-life

### Technical information



#### Temperature range

$T_{\min}$	-30 °C	Operating temperature min.
$T_{\max}$	120 °C	Operating temperature max.
	0,004 kg	Weight

#### Main Dimensions & Performance Data

d	40 mm	Bore diameter
D	62 mm	Outside diameter
B	40 mm	Width
$C_r$	74.000 N	Basic dynamic load rating, radial
$C_{0r}$	116.000 N	Basic static load rating, radial
$C_{ur}$	19.800 N	Fatigue load limit, radial
$n_G$	9.200 1/min	Limiting speed
$n_{gr}$	5.100 1/min	Reference speed

#### Dimensions

F	48 mm	Raceway diameter inner ring
$r_{\min}$	0,6 mm	Minimum chamfer dimension
s	0,5 mm	Axial displacement