

★ NA6910-ZW-XL

Needle roller bearing

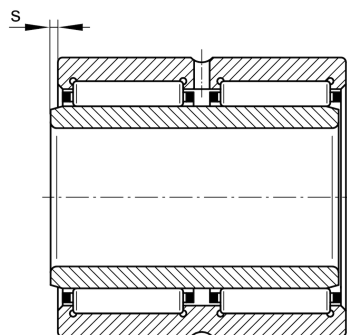
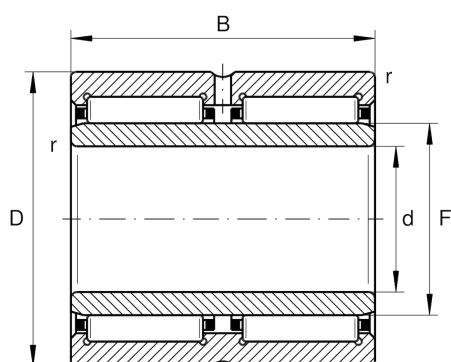
Schaeffler ID:
0507442240000

Needle roller bearings NA69...ZW,
Dimension series 69, double row

★ Preferred product

X-life

Technical information



Temperature range

| | | |
|------------|----------|----------------------------|
| T_{\min} | -30 °C | Operating temperature min. |
| T_{\max} | 120 °C | Operating temperature max. |
| | 0,514 kg | Weight |

Main Dimensions & Performance Data

| | | |
|----------|-------------|-----------------------------------|
| d | 50 mm | Bore diameter |
| D | 72 mm | Outside diameter |
| B | 40 mm | Width |
| C_r | 82.000 N | Basic dynamic load rating, radial |
| C_{0r} | 139.000 N | Basic static load rating, radial |
| C_{ur} | 23.800 N | Fatigue load limit, radial |
| n_G | 7.800 1/min | Limiting speed |
| n_{gr} | 4.200 1/min | Reference speed |

Dimensions

| | | |
|------------|--------|-----------------------------|
| F | 58 mm | Raceway diameter inner ring |
| r_{\min} | 0,6 mm | Minimum chamfer dimension |
| s | 0,5 mm | Axial displacement |