

## ★ NA6912-ZW-XL

Needle roller bearing

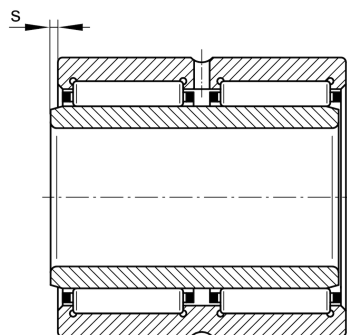
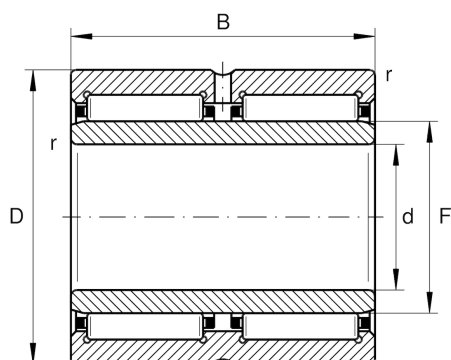
Schaeffler ID:  
0507442400000

Needle roller bearings NA69...ZW,  
Dimension series 69, double row

★ Preferred product

X-life

### Technical information



#### Temperature range

$T_{\min}$	-30 °C	Operating temperature min.
$T_{\max}$	120 °C	Operating temperature max.
	0,794 kg	Weight

#### Main Dimensions & Performance Data

d	60 mm	Bore diameter
D	85 mm	Outside diameter
B	45 mm	Width
$C_r$	106.000 N	Basic dynamic load rating, radial
$C_{0r}$	191.000 N	Basic static load rating, radial
$C_{ur}$	33.000 N	Fatigue load limit, radial
$n_G$	6.700 1/min	Limiting speed
$n_{gr}$	3.700 1/min	Reference speed

#### Dimensions

F	68 mm	Raceway diameter inner ring
$r_{\min}$	1 mm	Minimum chamfer dimension
s	1,5 mm	Axial displacement