

★ NA6913-ZW-XL

Needle roller bearing

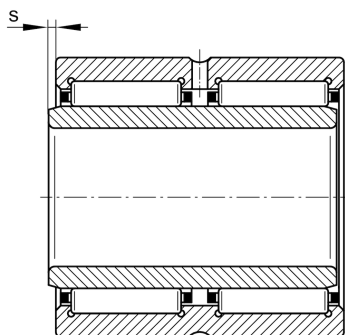
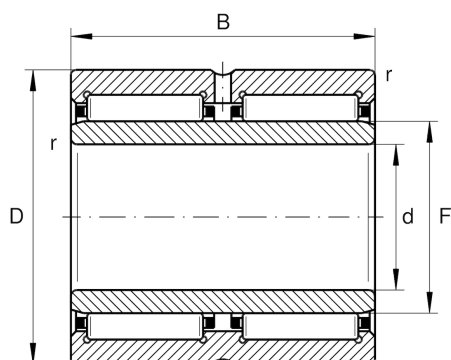
Schaeffler ID:
0507442590000

Needle roller bearings NA69...ZW,
Dimension series 69, double row

★ Preferred product

X-life

Technical information



Temperature range

T_{\min}	-30 °C	Operating temperature min.
T_{\max}	120 °C	Operating temperature max.
	0,852 kg	Weight

Main Dimensions & Performance Data

d	65 mm	Bore diameter
D	90 mm	Outside diameter
B	45 mm	Width
C_r	108.000 N	Basic dynamic load rating, radial
C_{0r}	198.000 N	Basic static load rating, radial
C_{ur}	34.500 N	Fatigue load limit, radial
n_G	6.300 1/min	Limiting speed
n_{gr}	3.550 1/min	Reference speed

Dimensions

F	72 mm	Raceway diameter inner ring
r_{\min}	1 mm	Minimum chamfer dimension
s	1,5 mm	Axial displacement