

## ★ NA6914-ZW-XL

Needle roller bearing

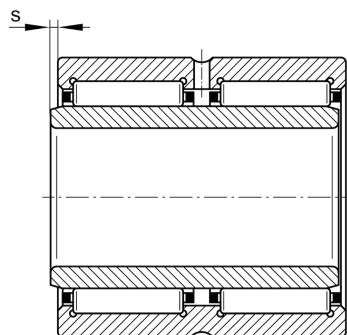
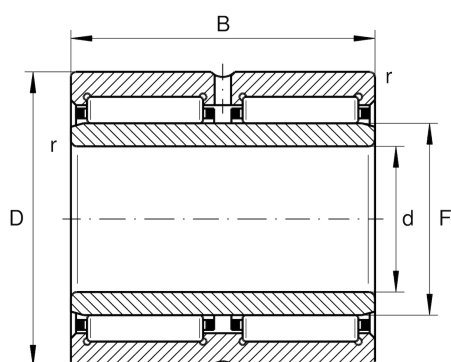
Schaeffler ID:  
0507442670000

Needle roller bearings NA69...ZW,  
Dimension series 69, double row

★ Preferred product

X-life

### Technical information



#### Temperature range

$T_{\min}$	-30 °C	Operating temperature min.
$T_{\max}$	120 °C	Operating temperature max.
	1,34 kg	Weight

#### Main Dimensions & Performance Data

d	70 mm	Bore diameter
D	100 mm	Outside diameter
B	54 mm	Width
$C_r$	145.000 N	Basic dynamic load rating, radial
$C_{0r}$	265.000 N	Basic static load rating, radial
$C_{ur}$	48.000 N	Fatigue load limit, radial
$n_G$	5.700 1/min	Limiting speed
$n_{gr}$	3.300 1/min	Reference speed

#### Dimensions

F	80 mm	Raceway diameter inner ring
$r_{\min}$	1 mm	Minimum chamfer dimension
s	1 mm	Axial displacement