

★ NA6916-ZW-XL

Needle roller bearing

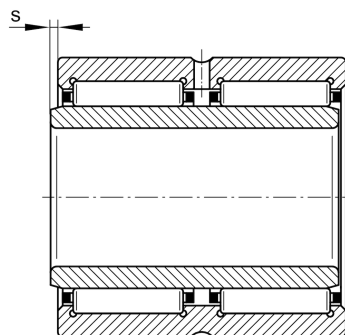
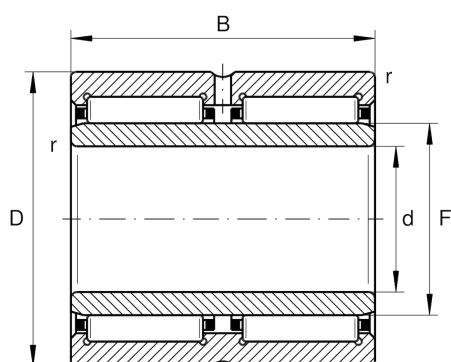
Schaeffler ID:
0507442830000

Needle roller bearings NA69...ZW,
Dimension series 69, double row

★ Preferred product

X-life

Technical information



Temperature range

T_{\min}	-30 °C	Operating temperature min.
T_{\max}	120 °C	Operating temperature max.
	0,015 kg	Weight

Main Dimensions & Performance Data

d	80 mm	Bore diameter
D	110 mm	Outside diameter
B	54 mm	Width
C_r	153.000 N	Basic dynamic load rating, radial
C_{0r}	300.000 N	Basic static load rating, radial
C_{ur}	54.000 N	Fatigue load limit, radial
n_G	5.100 1/min	Limiting speed
n_{gr}	2.900 1/min	Reference speed

Dimensions

F	90 mm	Raceway diameter inner ring
r_{\min}	1 mm	Minimum chamfer dimension
s	1 mm	Axial displacement