

## ★ NKX12-Z-XL

Needle roller/axial ball bearing

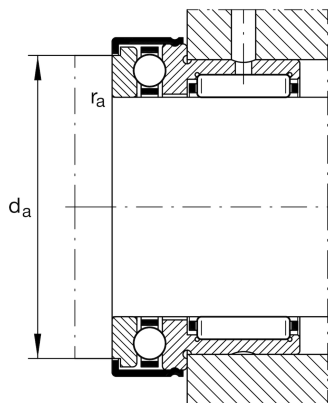
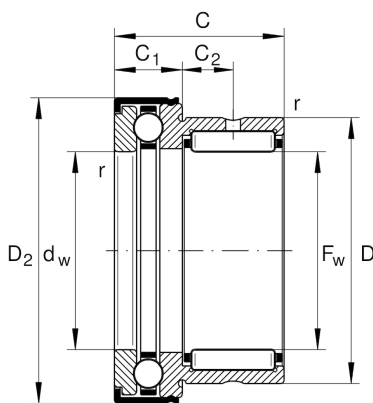
Schaeffler ID:  
0507475500000

Needle roller/axial ball bearings NKX...-Z, axial component, single direction, to DIN 5429, with end cap, for grease lubrication

★ Preferred product

X-life

### Technical information



#### Temperature range

$T_{min}$	-30 °C	Operating temperature min.
$T_{max}$	120 °C	Operating temperature max.
	42,73 g	Weight

#### Main Dimensions & Performance Data

$F_w$	12 mm	Bore diameter
D	21 mm	Outside diameter
C	23 mm	Height
$C_r$	10.100 N	Basic dynamic load rating, radial
$C_{0r}$	11.000 N	Basic static load rating, radial
$C_a$	10.300 N	Basic dynamic load rating, axial
$C_{0a}$	15.400 N	Basic static load rating, axial
$C_{ur}$	1.950 N	Fatigue load limit, radial
$C_{ua}$	760 N	Fatigue load limit, axial
$n_G$	11.000 1/min	Limiting speed

#### Dimensions

$D_{1max}$	27,2 mm	Maximum outside diameter flange
$D_{2max}$	27,2 mm	Maximum outside diameter flange
$C_1$	9 mm	Width of the axial bearing component
$C_1$	6,5 mm	Distance to lubrication hole
$C_2$	6,5 mm	Distance to lubrication hole
$d_w$	12 mm	Bore diameter of shaft washer
$r_{min}$	0,3 mm	Minimum chamfer dimension

#### Mounting dimensions

$d_a$	21,7 mm	Mounting dimension shaft shoulder
$r_{a max}$	0,3 mm	Maximum recess radius

**Additional information**

---

IR9X12X16-XL

Suitable inner rings IR