

★ NK9/16-TV-XL

Needle roller bearing

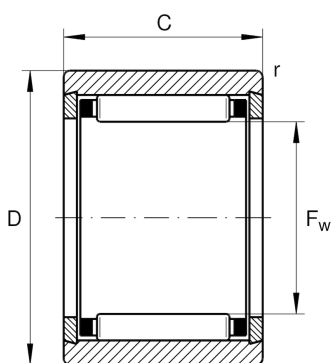
Schaeffler ID:
0507532820000

Needle roller bearings NK, light series

★ Preferred product

X-life

Technical information



Temperature range

T_{\min}	-20 °C	Operating temperature min.
T_{\max}	120 °C	Operating temperature max.
	12,7 g	Weight

Main Dimensions & Performance Data

F_w	9 mm	Under roller diameter
D	16 mm	Outside diameter
C	16 mm	Width, outer ring
C_r	6.600 N	Basic dynamic load rating, radial
C_{0r}	7.100 N	Basic static load rating, radial
C_{ur}	1.210 N	Fatigue load limit, radial
n_G	31.000 1/min	Limiting speed
n_{gr}	32.000 1/min	Reference speed

Dimensions

r_{\min}	0,3 mm	Minimum chamfer dimension
------------	--------	---------------------------

Additional information

	G9X16X3	Sealing ring
--	---------	--------------