



## ★ NKI12/16-XL

Needle roller bearing

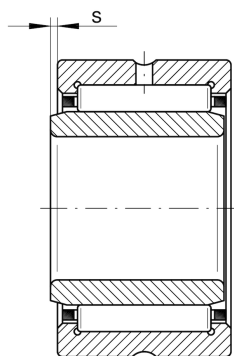
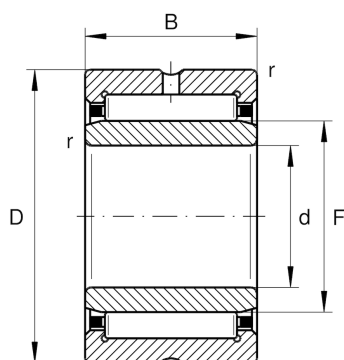
Schaeffler ID:  
0507617300000

Needle roller bearings NKI, light series

★ Preferred product

X-life

### Technical information



#### Temperature range

$T_{\min}$	-30 °C	Operating temperature min.
$T_{\max}$	120 °C	Operating temperature max.
	0,034 kg	Weight

#### Main Dimensions & Performance Data

d	12 mm	Bore diameter
D	24 mm	Outside diameter
B	16 mm	Width
$C_r$	12.800 N	Basic dynamic load rating, radial
$C_{0r}$	13.900 N	Basic static load rating, radial
$C_{ur}$	2.600 N	Fatigue load limit, radial
$n_G$	23.200 1/min	Limiting speed
$n_{gr}$	14.500 1/min	Reference speed

#### Dimensions

F	16 mm	Raceway diameter inner ring
$r_{\min}$	0,3 mm	Minimum chamfer dimension
s	0,5 mm	Axial displacement