



★ NKI12/20-XL

Needle roller bearing

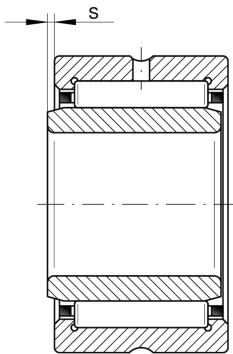
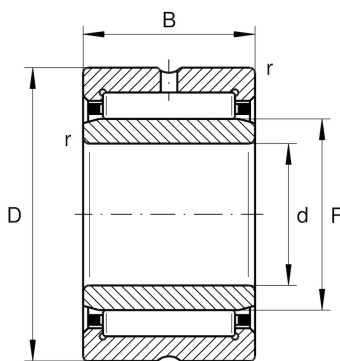
Schaeffler ID:
0507619430000

Needle roller bearings NKI, light series

★ Preferred product

X-life

Technical information



Temperature range

T_{\min}	-30 °C	Operating temperature min.
T_{\max}	120 °C	Operating temperature max.
	42,04 g	Weight

Main Dimensions & Performance Data

d	12 mm	Bore diameter
D	24 mm	Outside diameter
B	20 mm	Width
C_r	16.300 N	Basic dynamic load rating, radial
C_{0r}	18.800 N	Basic static load rating, radial
C_{ur}	3.350 N	Fatigue load limit, radial
n_G	23.200 1/min	Limiting speed
n_{gr}	14.200 1/min	Reference speed

Dimensions

F	16 mm	Raceway diameter inner ring
r_{\min}	0,3 mm	Minimum chamfer dimension
s	0,5 mm	Axial displacement