



★ NA4836-XL

Needle roller bearing

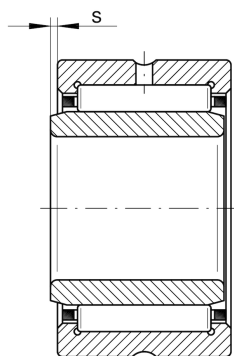
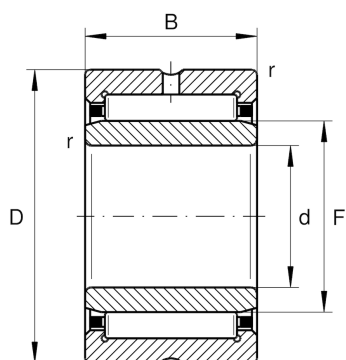
Schaeffler ID:
0507685300000

Needle roller bearing NA..-XL, single row,
with inner ring, outer ring with 2 bords

★ Preferred product

X-life

Technical information



Temperature range

T_{\min}	-30 °C	Operating temperature min.
T_{\max}	120 °C	Operating temperature max.
	4,141 kg	Weight

Main Dimensions & Performance Data

d	180 mm	Bore diameter
D	225 mm	Outside diameter
B	45 mm	Width
C_r	219.000 N	Basic dynamic load rating, radial
C_{0r}	550.000 N	Basic static load rating, radial
C_{ur}	81.000 N	Fatigue load limit, radial
n_G	2.420 1/min	Limiting speed
n_{gr}	1.490 1/min	Reference speed

Dimensions

F	195 mm	Raceway diameter inner ring
r_{\min}	1,1 mm	Minimum chamfer dimension
s	1,5 mm	Axial displacement