

**NKIS40-XL**

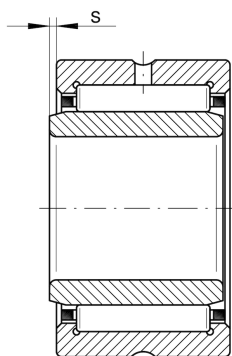
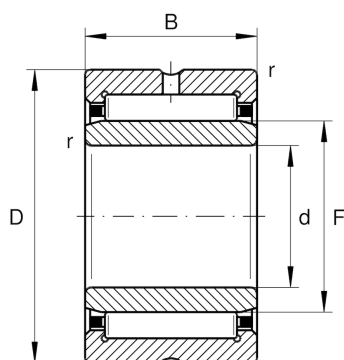
Radial roller bearing

Schaeffler ID:
0507710190000

Needle roller bearings NKIS, heavy series

X-life

Technical information

**Temperature range**

T_{\min}	-30 °C	Operating temperature min.
T_{\max}	120 °C	Operating temperature max.
	0,281 kg	Weight

Main Dimensions & Performance Data

d	40 mm	Bore diameter
D	65 mm	Outside diameter
B	22 mm	Width
C_r	48.000 N	Basic dynamic load rating, radial
C_{0r}	67.000 N	Basic static load rating, radial
C_{ur}	11.800 N	Fatigue load limit, radial
n_G	8.900 1/min	Limiting speed
$n_{G \text{ Grease}}$	5.300 1/min	Limiting speed for grease lubrication
n_{gr}	4.850 1/min	Reference speed

Dimensions

r_{\min}	1 mm	Minimum chamfer dimension
F	50 mm	Raceway diameter inner ring
s	0,5 mm	Axial displacement