

## ★ NA4906-2RSR-XL

Needle roller bearing

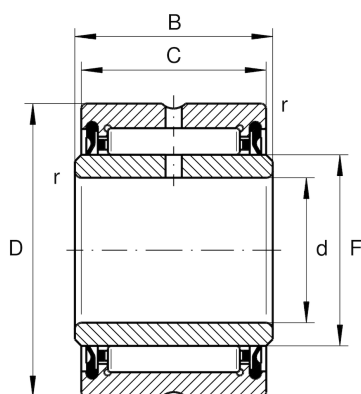
Schaeffler ID:  
0507752270000

Needle roller bearings NA49...-2RSR,  
dimension series 49, lip seals on both  
sides

★ Preferred product

X-life

### Technical information



#### Temperature range

$T_{\min}$	-20 °C	Operating temperature min.
$T_{\max}$	100 °C	Operating temperature max.
	0,107 kg	Weight

#### Main Dimensions & Performance Data

d	30 mm	Bore diameter
D	47 mm	Outside diameter
B	18 mm	Width, inner ring
$C_r$	23.900 N	Basic dynamic load rating, radial
$C_{0r}$	28.500 N	Basic static load rating, radial
$C_{ur}$	5.500 N	Fatigue load limit, radial
$n_{G \text{ Grease}}$	7.500 1/min	Limiting speed for grease lubrication

#### Dimensions

F	35 mm	Raceway diameter inner ring
C	17 mm	Width, outer ring
$r_{\min}$	0,3 mm	Minimum chamfer dimension