

## ★ NA4910-2RSR-XL

Needle roller bearing

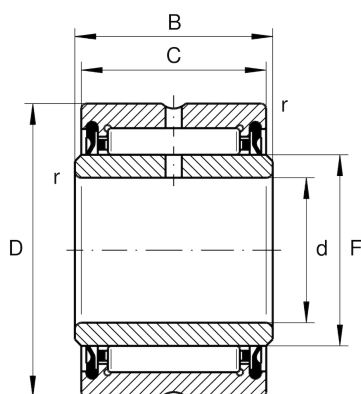
Schaeffler ID:  
0507752600000

Needle roller bearings NA49...2RSR,  
dimension series 49, lip seals on both  
sides

★ Preferred product

X-life

### Technical information



#### Temperature range

$T_{\min}$	-20 °C	Operating temperature min.
$T_{\max}$	100 °C	Operating temperature max.
	0,003 kg	Weight

#### Main Dimensions & Performance Data

d	50 mm	Bore diameter
D	72 mm	Outside diameter
B	23 mm	Width, inner ring
$C_r$	45.000 N	Basic dynamic load rating, radial
$C_{0r}$	64.000 N	Basic static load rating, radial
$C_{ur}$	10.800 N	Fatigue load limit, radial
$n_{G \text{ Grease}}$	4.650 1/min	Limiting speed for grease lubrication

#### Dimensions

F	58 mm	Raceway diameter inner ring
C	22 mm	Width, outer ring
$r_{\min}$	0,6 mm	Minimum chamfer dimension