

★ NX20-XL

Needle roller/axial ball bearing

Schaeffler ID:
0507785950000

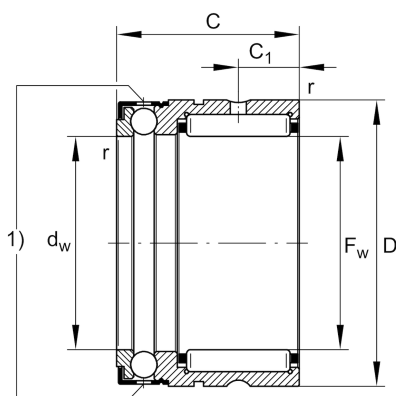
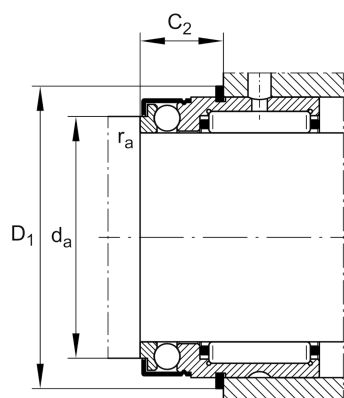
Needle roller/axial ball bearings NX,
single direction axial component, for oil
lubrication

★ Preferred product

X-life

Technical information

2)



Temperature range

T_{\min}	-30 °C	Operating temperature min.
T_{\max}	120 °C	Operating temperature max.
	66,75 g	Weight

Main Dimensions & Performance Data

F_w	20 mm	Bore diameter
D	30 mm	Outside diameter
C	28 mm	Height
C_r	14.600 N	Basic dynamic load rating, radial
C_{0r}	17.500 N	Basic static load rating, radial
C_a	7.000 N	Basic dynamic load rating, axial
C_{0a}	14.700 N	Basic static load rating, axial
C_{ur}	3.300 N	Fatigue load limit, radial
C_{ua}	670 N	Fatigue load limit, axial
n_G	6.500 1/min	Limiting speed

Dimensions

C_1	8 mm	Distance to lubrication hole
C_2	8 mm	Distance to lubrication hole
d_w	20 mm	Bore diameter of shaft washer
r_{\min}	0,3 mm	Minimum chamfer dimension

Mounting dimensions

d_a	25 mm	Mounting dimension shaft shoulder
$r_{a \max}$	0,3 mm	Maximum recess radius
D_1	33,6 mm	Connection diameter snap ring
C_2	12,2 mm	Connection width with snap ring

Additional information

IR17X20X16-XL	Suitable inner rings IR
WR30, SW30	Snap ring