

★ NX35-XL

Needle roller/axial ball bearing

Schaeffler ID:
0507786250000

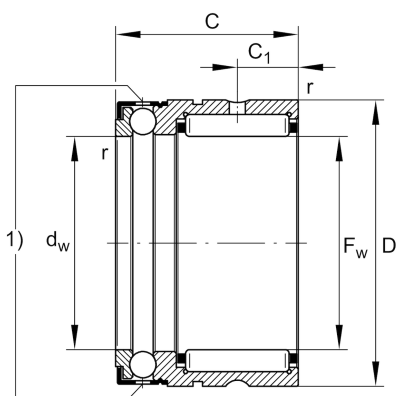
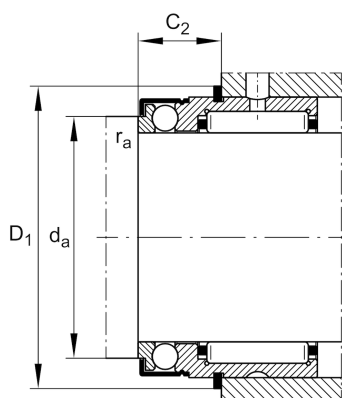
Needle roller/axial ball bearings NX,
single direction axial component, for oil
lubrication

★ Preferred product

X-life

Technical information

2)



Temperature range

T_{\min}	-30 °C	Operating temperature min.
T_{\max}	120 °C	Operating temperature max.
	0,001 kg	Weight

Main Dimensions & Performance Data

F_w	35 mm	Bore diameter
D	47 mm	Outside diameter
C	30 mm	Height
C_r	27.500 N	Basic dynamic load rating, radial
C_{0r}	41.500 N	Basic static load rating, radial
C_a	12.400 N	Basic dynamic load rating, axial
C_{0a}	32.500 N	Basic static load rating, axial
C_{ur}	7.400 N	Fatigue load limit, radial
C_{ua}	1.480 N	Fatigue load limit, axial
n_G	3.700 1/min	Limiting speed

Dimensions

C_1	10 mm	Distance to lubrication hole
C_2	10 mm	Distance to lubrication hole
d_w	35 mm	Bore diameter of shaft washer
r_{\min}	0,3 mm	Minimum chamfer dimension

Mounting dimensions

d_a	40,5 mm	Mounting dimension shaft shoulder
$r_{a \max}$	0,3 mm	Maximum recess radius
D_1	50,1 mm	Connection diameter snap ring
C_2	14,2 mm	Connection width with snap ring

Additional information

IR30X35X20-XL	Suitable inner rings IR
WR47, SW47	Snap ring