

## ★ NX17-Z-XL

Needle roller/axial ball bearing

Schaeffler ID:  
0507791920000

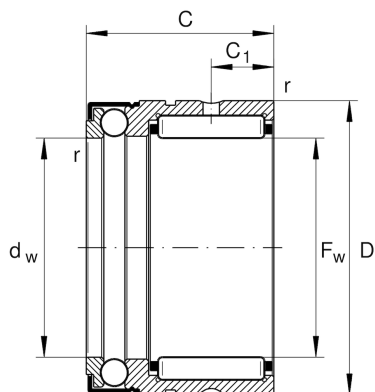
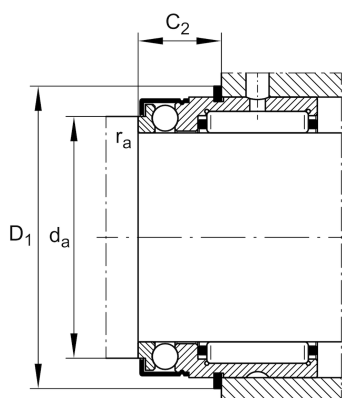
Needle roller/axial ball bearings NX..-Z, single direction axial component, for grease lubrication

★ Preferred product

X-life

### Technical information

2)



#### Temperature range

$T_{\min}$	-30 °C	Operating temperature min.
$T_{\max}$	120 °C	Operating temperature max.
	50,99 g	Weight

#### Main Dimensions & Performance Data

$F_w$	17 mm	Bore diameter
$D$	26 mm	Outside diameter
$C$	28 mm	Height
$C_r$	13.500 N	Basic dynamic load rating, radial
$C_{0r}$	15.000 N	Basic static load rating, radial
$C_a$	5.800 N	Basic dynamic load rating, axial
$C_{0a}$	11.500 N	Basic static load rating, axial
$C_{ur}$	2.800 N	Fatigue load limit, radial
$C_{ua}$	530 N	Fatigue load limit, axial
$n_G$	7.500 1/min	Limiting speed

#### Dimensions

$C_1$	8 mm	Distance to lubrication hole
$C_2$	8 mm	Distance to lubrication hole
$d_w$	17 mm	Bore diameter of shaft washer
$r_{\min}$	0,3 mm	Minimum chamfer dimension

#### Mounting dimensions

$d_a$	21 mm	Mounting dimension shaft shoulder
$r_{a \max}$	0,3 mm	Maximum recess radius
$D_1$	28,5 mm	Connection diameter snap ring
$C_2$	12,2 mm	Connection width with snap ring

**Additional information**

IR14X17X17-XL	Suitable inner rings IR
WR26, SW26	Snap ring