

## ★ NX30-Z-XL

Needle roller/axial ball bearing

Schaeffler ID:  
0507792220000

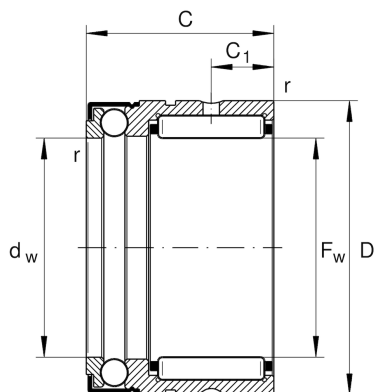
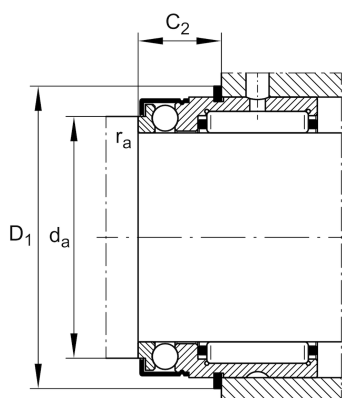
Needle roller/axial ball bearings NX..-Z, single direction axial component, for grease lubrication

★ Preferred product

X-life

### Technical information

2)



#### Temperature range

$T_{\min}$	-30 °C	Operating temperature min.
$T_{\max}$	120 °C	Operating temperature max.
	0,001 kg	Weight

#### Main Dimensions & Performance Data

$F_w$	30 mm	Bore diameter
$D$	42 mm	Outside diameter
$C$	30 mm	Height
$C_r$	25.500 N	Basic dynamic load rating, radial
$C_{0r}$	36.000 N	Basic static load rating, radial
$C_a$	11.700 N	Basic dynamic load rating, axial
$C_{0a}$	28.000 N	Basic static load rating, axial
$C_{ur}$	6.400 N	Fatigue load limit, radial
$C_{ua}$	1.270 N	Fatigue load limit, axial
$n_G$	4.300 1/min	Limiting speed

#### Dimensions

$C_1$	10 mm	Distance to lubrication hole
$C_2$	10 mm	Distance to lubrication hole
$d_w$	30 mm	Bore diameter of shaft washer
$r_{\min}$	0,3 mm	Minimum chamfer dimension

#### Mounting dimensions

$d_a$	36,5 mm	Mounting dimension shaft shoulder
$r_{a \max}$	0,3 mm	Maximum recess radius
$D_1$	45,1 mm	Connection diameter snap ring
$C_2$	14,2 mm	Connection width with snap ring

**Additional information**

IR25X30X20-XL	Suitable inner rings IR
WR42, SW42	Snap ring