

★ PNA25/47-XL

Aligning needle roller bearing

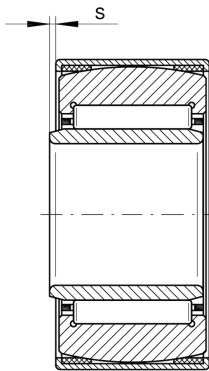
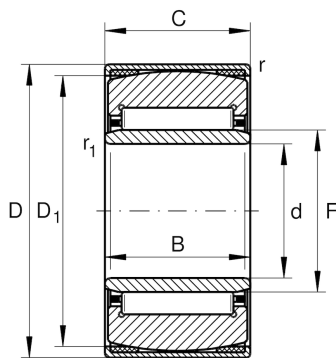
Schaeffler ID:
0507802800000

Aligning needle roller bearings PNA, with
inner ring

★ Preferred product

X-life

Technical information



Temperature range

T_{\min}	-20 °C	Operating temperature min.
T_{\max}	100 °C	Operating temperature max.
	0,002 kg	Weight

Main Dimensions & Performance Data

d	25 mm	Bore diameter
D	47 mm	Outside diameter
C	20 mm	Width, outer ring
C_r	25.500 N	Basic dynamic load rating, radial
C_{0r}	36.000 N	Basic static load rating, radial
C_{ur}	6.400 N	Fatigue load limit, radial
n_G	14.800 1/min	Limiting speed

Dimensions

F	30 mm	Raceway diameter inner ring
B	20 mm	Width, inner ring
D_1	42 mm	Flange diameter of outer cup
r_{\min}	0,8 mm	Minimum chamfer dimension
$r_{1\min}$	0,3 mm	Minimum chamfer dimension
s_{\min}	0,5 mm	Minimum axial displacement