

★ LR5200-2HRS-TVH-XL

Track roller

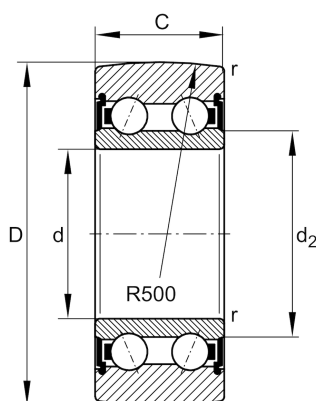
Schaeffler ID:
0824787910000

Track roller LR...-2HRS-TVH-XL, two-row,
no plastic tyre

★ Preferred product

X-life

Technical information



Main Dimensions & Performance Data

D	32 mm	Outside diameter
d	10 mm	Bore diameter
C	14 mm	Height
$C_{r w}$	7.200 N	Basic dynamic load rating, radial
$C_{0 r w}$	4.900 N	Basic static load rating, radial
$C_{u r w}$	250 N	Fatigue load limit, radial
$n_{D G}$	9.200 1/min	Speed on permanent grease lubrication
$F_{r p e r}$	4.900 N	Permissible dynamic load outer ring, radial
	0,07 kg	Weight

Dimensions

d_2	17 mm	Diameter of thrust washer
r_{\min}	0,6 mm	Minimum chamfer dimension
R	500 mm	Radius of outer ring outside profile