

★ LR5200-2Z-TVH-XL

Track roller

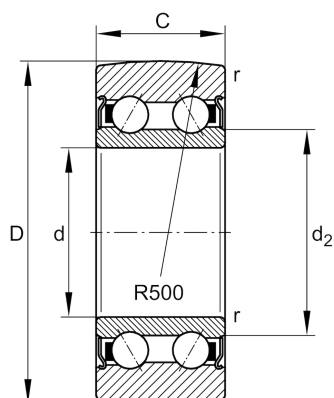
Schaeffler ID:
0824790540000

Track roller LR...-2Z-TVH-XL, two-row, no plastic tyre

★ Preferred product

X-life

Technical information



Main Dimensions & Performance Data

D	32 mm	Outside diameter
d	10 mm	Bore diameter
C	14 mm	Height
$C_{r w}$	7.200 N	Basic dynamic load rating, radial
$C_{0r w}$	4.900 N	Basic static load rating, radial
$C_{ur w}$	250 N	Fatigue load limit, radial
n_{DG}	13.000 1/min	Speed on permanent grease lubrication
$F_{r per}$	4.900 N	Permissible dynamic load outer ring, radial
	0,059 kg	Weight

Dimensions

d_2	17 mm	Diameter of thrust washer
r_{min}	0,6 mm	Minimum chamfer dimension
R	500 mm	Radius of outer ring outside profile